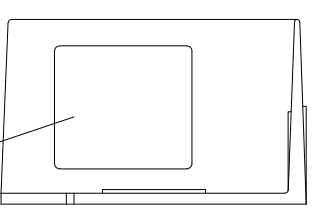
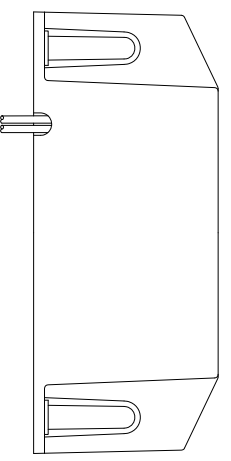
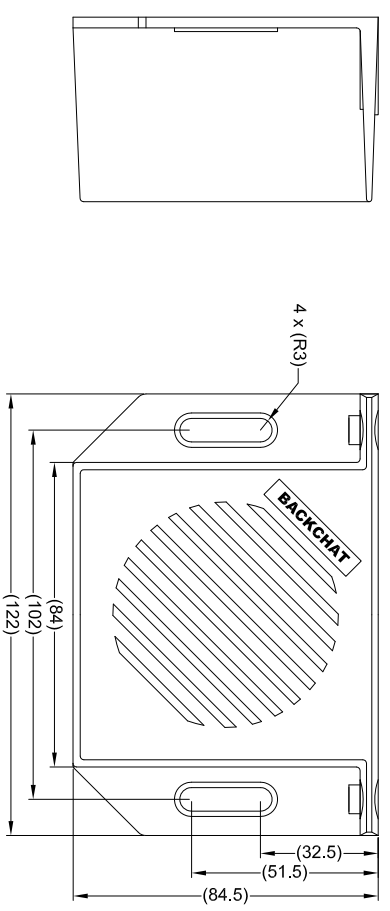
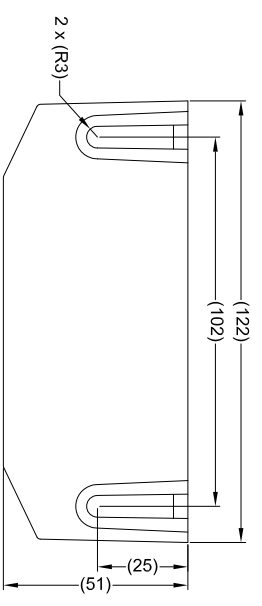
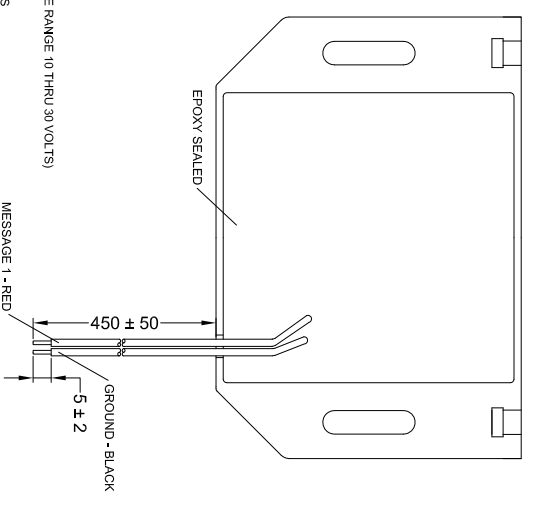


Revision Notes:		
Checked By: -	Approved By: -	Date Released: -



PRODUCT LABEL LOCATION/
SERIAL NUMBER



SPECIFICATION

RATED VOLTAGE: 12 AND 24 VOLTS DIRECT CURRENT (WORKING VOLTAGE RANGE: 10 THRU 30 VOLTS)
 RATED CURRENT: 0.5 AMPERES OR LESS
 SOUND PRESSURE: 90/94 DECIBELS AT TEST VOLTAGE OF 14 AND 28 VOLTS
 CABLE THICKNESS: ALL CABLES 24/0.2MM
 MESSAGE(S): "STAND CLEAR VEHICLE REVERSING"
 MESSAGE LIBRARY NUMBER(S): M1016D
 VOICE/ACCENT: MALE
 LANGUAGE: ENGLISH

- NOTES:**
1. DIMENSIONS IN MM.
 2. MATERIAL: ABS PLASTIC - ULTRA VIOLET STABILIZED
 3. FINISH: BLACK
 4. FOR PRODUCT LABEL REFER TO BE-001396-00-11
 5. 2 X M6 X25 BOLTS, 2 X M6 FLAT WASHER & 2 X M6 NUTS ARE SUPPLIED IN A PRESS SEAL BAG IN THE BOX.
 6. POWER & MESSAGE CABLE LENGTHS ARE MEASURED FROM CABLE ENTRY POINT ON HOUSING.

PROPRIETARY NOTICE

THIS DESIGN AND TECHNICAL INFORMATION APPEARING ON THIS DRAWING IS THE PROPERTY OF BRIGADE ELECTRONICS, AND IS DISCLOSED IN CONFIDENCE. IT IS NOT TO BE COPIED, REPRODUCED, REVEALED TO OR EXPLOITED BY OTHERS, EITHER IN WHOLE OR IN PART WITHOUT THE EXPRESS WRITTEN CONSENT OF BRIGADE ELECTRONICS.



Assembly PI Approval AHEEDLE		Approved by DKERAL		Checked by JNEWMAN		Drawn by MBUTLER	
Angle of Projection Third Angle		Units mm	Scale N/A	Released 18/12/11	Assembly Ref BC-01		
Status RELEASED		Stock Code #0077		BC-01			

1 2 3 4 5 6 7 8